

# RedLINK™ Zoning Options

## With IAQ control from zone 1 stat

See figure 1 below for basic wiring

### OPTION A: 2-3 zones

1-2 stage furnace + 1-2 stage cooling or single stage heat-pump + electric heat-strips for auxiliary heat. No dual fuel.

Parts list	Description	Quantity
1. HZ322K zone panel kit	Includes HZ322 zone panel, C7735A1000 discharge sensor, and AT140A1042 transformer	1
2. THX9421R5021	Prestige IAQ 2.0 thermostat	1
3. THM5421R1021	EIM for Prestige IAQ thermostat	1
4. YTH6320R1023	Includes TH6320R1004 wireless programmable FocusPRO thermostat and THM4000R1000 adaptor	1
5. TH6320R1004	Wireless thermostat for zone 3 ( <i>not needed for 2 zone system</i> )	0-1
6. Appropriate zone dampers and by-pass damper for the application		

### OPTION B: 2-4 zones

1-3 stage furnace + 1-2 stage cooling, or 1-2 stage heat-pump + electric heat-strips for auxiliary heat

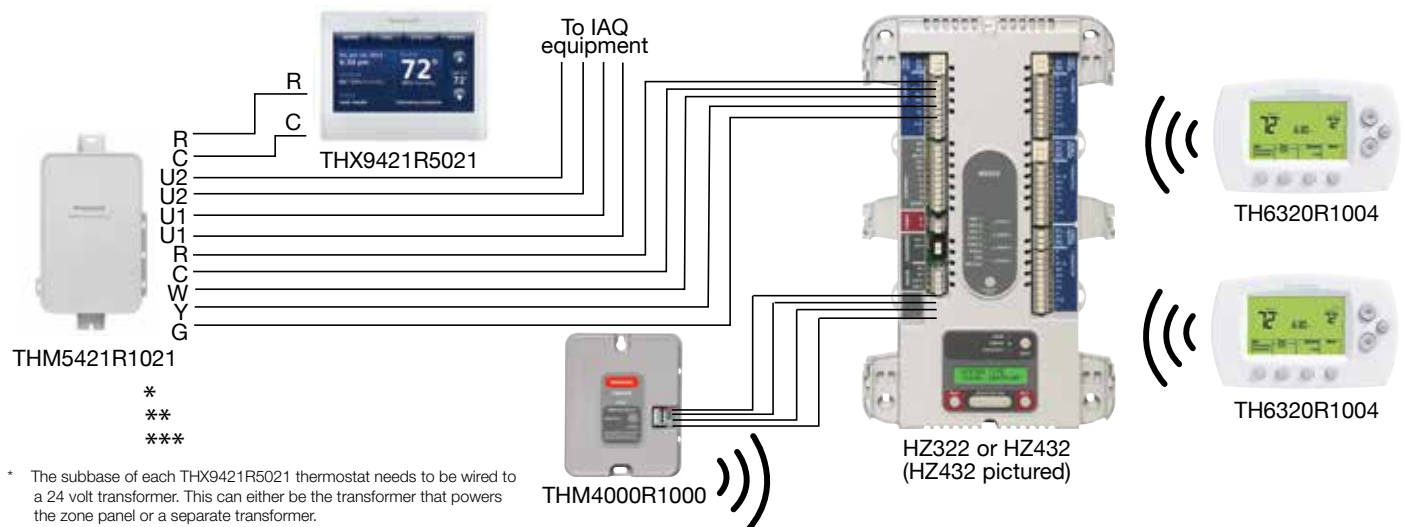
Parts list	Description	Quantity
1. HZ432K zone panel kit	Includes HZ432 zone panel, C7735A1000 discharge sensor, and AT140A1042 transformer	1
2. THX9421R5021	Prestige IAQ 2.0 thermostat	1
3. THM5421R1021	EIM for Prestige IAQ thermostat	1
4. YTH6320R1023	Includes TH6320R1004 wireless programmable FocusPRO thermostat and THM4000R1000 adaptor	1
5. TH6320R1004	Wireless thermostats for zones 3 and 4 ( <i>not needed for 2 zone system</i> )	0-2
6. Appropriate zone dampers and by-pass damper for the application		

### OPTION C: 2-4 zones

Dual fuel. 1-2 stage heat-pump + 1-2 stage gas furnace

Parts list	Description	Quantity
1. HZ432K zone panel kit	Includes HZ432 zone panel, C7735A1000 discharge sensor, and AT140A1042 transformer	1
2. THX9421R5021	Prestige IAQ 2.0 thermostat	1
3. THM5421R1021	EIM for Prestige IAQ thermostat	1
4. YTH6320R1023	Includes TH6320R1004 wireless programmable FocusPRO thermostat and THM4000R1000 adaptor	1
5. TH6320R1004	Wireless thermostats for zones 3 and 4 ( <i>not needed for 2 zone system</i> )	0-2
6. C7089R1013	Wireless outdoor sensor for dual fuel changeover	1
7. Appropriate zone dampers and by-pass damper for the application		

Fig. 1. Zoning with IAQ equipment



\* The subbase of each THX9421R5021 thermostat needs to be wired to a 24 volt transformer. This can either be the transformer that powers the zone panel or a separate transformer.  
 \*\* EIMs and adaptors need to be at least 2 feet apart from each other.  
 \*\*\* The supply and return sensors included in the YTHX9421 2.0 Prestige IAQ kits are not used in zoning applications. The thermostats cannot be set for Delta-T diagnostics when used in zoning applications.

## RedLINK™ Zoning Options

With IAQ control from zone 1 stat

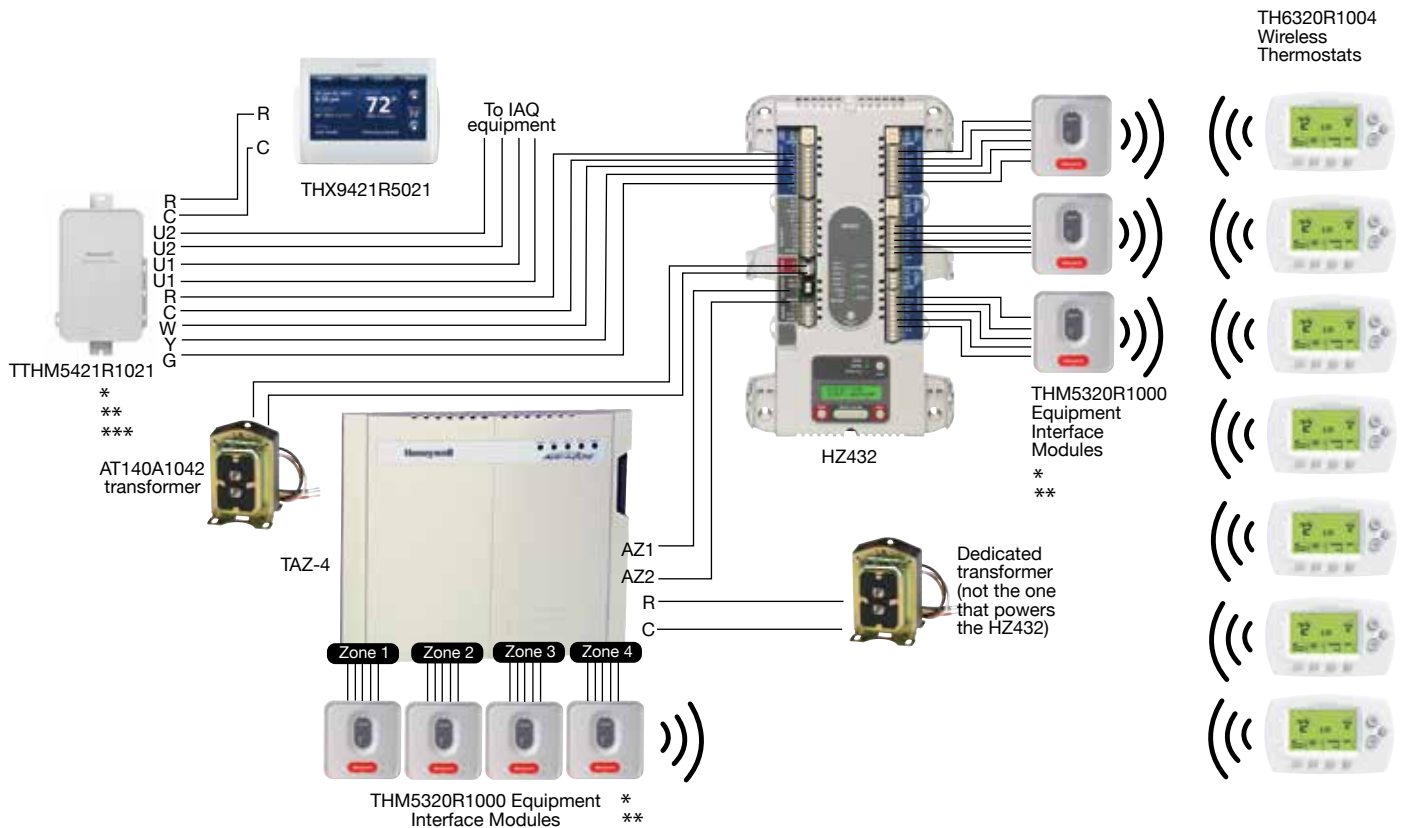
See figure 2 below for basic wiring

**OPTION D: More than 4 zones (cannot use THM4000R wireless adaptor)**

1-3 stage furnace + 1-2 stage cooling, heat-pump with 1-2 compressor stages + auxiliary heat, or 1-2 stage heat-pump + 1-2 stage gas furnace (dual fuel)

Parts list	Description	Quantity
1. HZ432K zone panel kit	Includes: HZ432 zone panel, C7735A1000 discharge sensor, and AT140A1042 transformer	1
2. TAZ-4	Add-a-zone panel	1 per each additional 4 zones
3. AT140A1042	40VA transformer	1 per TAZ-4 panel
4. THX9421R5021	Prestige IAQ 2.0 thermostat	1
5. THM5421R1021	EIM for Prestige IAQ thermostat	1
6. TH6320R1004	Wireless thermostats	1 for each wireless zone
7. THM5320R1000	Equipment Interface Module	1 for each wireless thermostat
8. Appropriate zone dampers and by-pass damper for the application		
9. C7089U1006	Wired outdoor sensor (required for dual fuel applications only)	1

Fig. 2. More than 4 zones



\* The subbase of each THX9421R5021 thermostat needs to be wired to a 24 volt transformer. This can either be the transformer that powers the zone panel or a separate transformer.  
 \*\* EIMs need to be at least 2 feet apart from each other.  
 \*\*\* The supply and return sensors included in the YTHX9421 2.0 Prestige IAQ kits are not used in zoning applications. The thermostats cannot be set for Delta-T diagnostics when used in zoning applications.

# RedLINK™ Zoning Options

## NO IAQ EQUIPMENT OR ECONOMIZER CONTROL

For any of the 2-4 zone applications listed in this document that do not need to control a Humidifier, Dehumidifier, Ventilator, economizer, or Remote Indoor Sensor, you can eliminate the THM5421R1021. You can either enroll the Prestige IAQ thermostat to the THM4000R \*\*\* wireless adaptor that is included in the YTH6320R1023 kit or use another TH6320R1004 thermostat for zone 1 in place of the Prestige IAQ. When a TAZ-4 is used for systems over 4 zones, you cannot use a THM4000R1000.

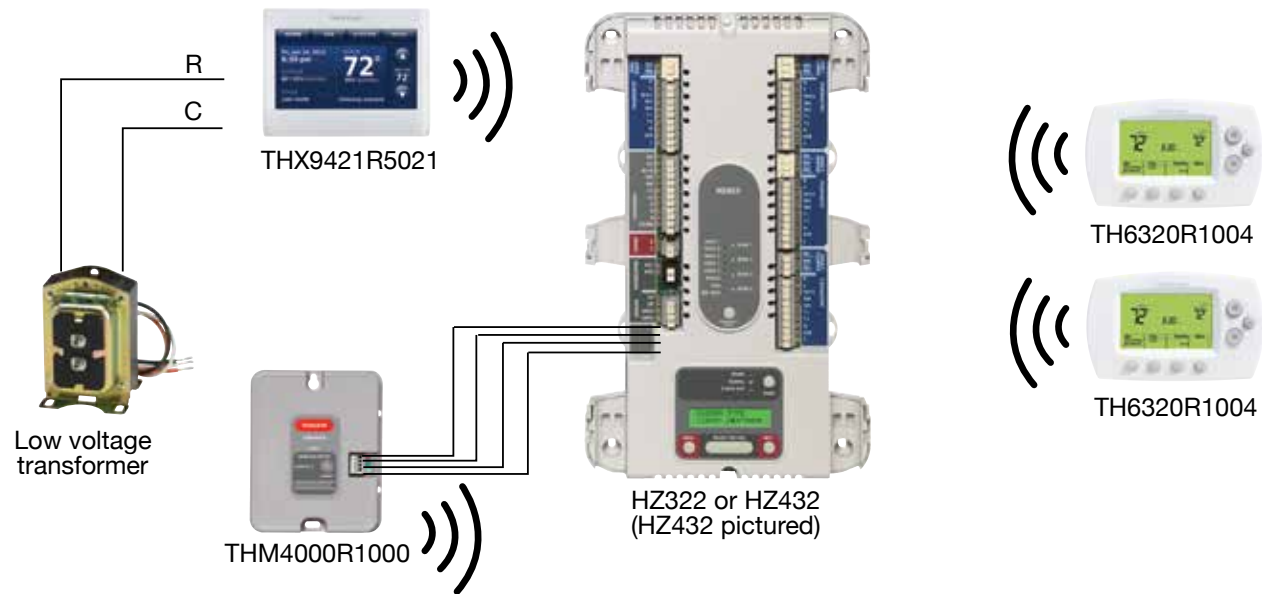
See figure 3 below for basic wiring

## REGULAR PRESTIGE INSTEAD OF PRESTIGE IAQ

For any of the applications listed on this page, you could replace the Prestige IAQ thermostats with THX9321R5030 Prestige models. When the THX9321R5030 models are used you do not need to order any THM5421R EIMs. All wires (including IAQ equipment) get wired to the subbase of the THX9321R models. The only exception is that a THM4000R1000 can be used with the THX9321R5030 models to control a TrueSTEAM humidifier wirelessly.

Wired as normal thermostat. See diagrams in zone panel literature

Fig. 3. No IAQ equipment



\* EIMs and adaptors need to be at least 2 feet apart from each other.

\*\*The supply and return sensors included in the YTHX9421 2.0 Prestige IAQ kits are not used in zoning applications. The thermostats cannot be set for Delta-T diagnostics when used in zoning applications.

\*\*\*Prestige IAQ thermostats used with a THM4000R adaptor and THM6000R Gateway lose the 2.0 functionality online. This means you will be able to override the set-point but cannot program them or control the fan independently. Also you cannot use those thermostats with an REM1000R1003 exit/entry control or WSK-24 remote setback.

# RedLINK™ Zoning Options

With all Prestige® or Prestige IAQ® thermostats

See figure 4 below for basic wiring

**OPTION E: 2-3 zones (If C7189R or C7189U indoor sensors are used, cannot use THM4000. Need separate EIM for each stat).**

**1-2 stage furnace + 1-2 stage cooling or Single stage heat-pump + electric heat-strips for auxiliary heat. Not dual fuel.**

Parts list	Description	Quantity
1. HZ322K zone panel kit	Includes: HZ322 zone panel, C7735A1000 discharge sensor, and AT140A1042 transformer	1
2. THX9421R5021	Prestige IAQ 2.0 thermostats	2-3
3. THM5421R1021	EIM for Prestige IAQ thermostat controlling IAQ equipment (usually zone 1)	1
4. THM4000R1000****	Wireless adaptor for zone 2-3 Prestige IAQ thermostats not controlling IAQ equipment or using an indoor sensor	1
5. Appropriate zone dampers and by-pass damper for the application		

**OPTION F: 2-4 zones (If C7189R or C7189U indoor sensors are used, cannot use THM4000. Need separate EIM for each stat).**

**1-3 stage furnace + 1-2 stage cooling, or 1-2 stage heat-pump + electric heat-strips for auxiliary heat**

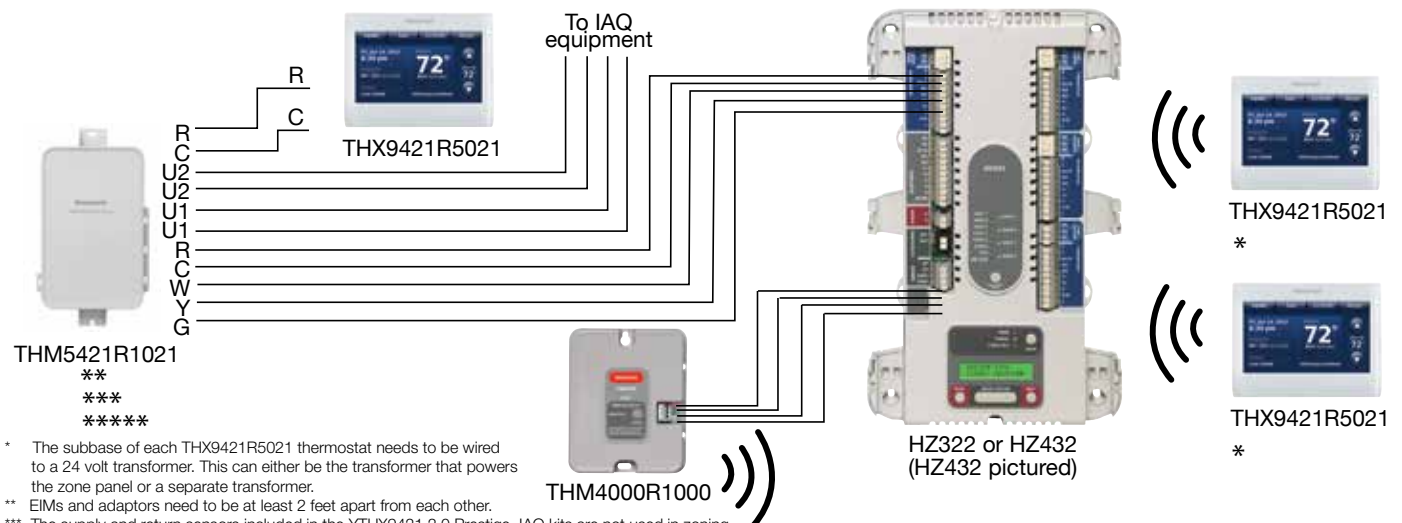
Parts list	Description	Quantity
1. HZ432K zone panel kit	Includes: HZ432 zone panel, C7735A1000 discharge sensor, and AT140A1042 transformer	1
2. THX9421R5021	Prestige IAQ 2.0 thermostats	2-4
3. THM5421R1021	EIM for Prestige IAQ thermostat controlling IAQ equipment (usually zone 1)	1
4. THM4000R1000****	Wireless adaptor for zone 2-4 Prestige IAQ thermostats not controlling IAQ equipment or using an indoor sensor	1
5. Appropriate zone dampers and by-pass damper for the application		

**OPTION G: 2-4 zones (If C7189R or C7189U indoor sensors are used, cannot use THM4000. Need separate EIM for each stat).**

**Dual fuel. 1-2 stage heat-pump + 1-2 stage gas furnace**

Parts list	Description	Quantity
1. HZ432K zone panel kit.	Includes: HZ432 zone panel, C7735A1000 discharge sensor, and AT140A1042 transformer	1
2. THX9421R5021	Prestige IAQ 2.0 thermostats	2-4
3. THM5421R1021	EIM for Prestige IAQ thermostat controlling IAQ equipment (usually zone 1)	1
4. THM4000R1000****	Wireless adaptor for zone 2-4 Prestige IAQ thermostats not controlling IAQ equipment or using an indoor sensor	1
5. C7089R1013	Wireless outdoor sensor	1
6. Appropriate zone dampers and by-pass damper for the application		

**Fig. 4. Zoning with IAQ equipment**



\* The subbase of each THX9421R5021 thermostat needs to be wired to a 24 volt transformer. This can either be the transformer that powers the zone panel or a separate transformer.

\*\* EIMs and adaptors need to be at least 2 feet apart from each other.

\*\*\* The supply and return sensors included in the YTHX9421 2.0 Prestige IAQ kits are not used in zoning applications. The thermostats cannot be set for Delta-T diagnostics when used in zoning applications.

\*\*\*\* Prestige IAQ thermostats used with a THM4000R adaptor and THM6000R Gateway lose the 2.0 functionality online. This means you will be able to override the set-point but cannot program them or control the fan independently. Also you cannot use those thermostats with an REM1000R1003 exit/entry control or WSK-24 remote setback

\*\*\*\*\*Thermostats enrolled to an EIM instead of to a zone panel should select "Non-zoned" in the thermostat setup

# RedLINK™ Zoning Options

With all Prestige® or Prestige IAQ® thermostats

See figure 5 below for basic wiring

**OPTION H: More than 4 zones (cannot use THM4000R wireless adaptor)**

1-3 stage furnace + 1-2 stage cooling, heat-pump with 1-2 compressor stages + auxiliary heat, or 1-2 stage heat-pump + 1-2 stage gas furnace (dual fuel)

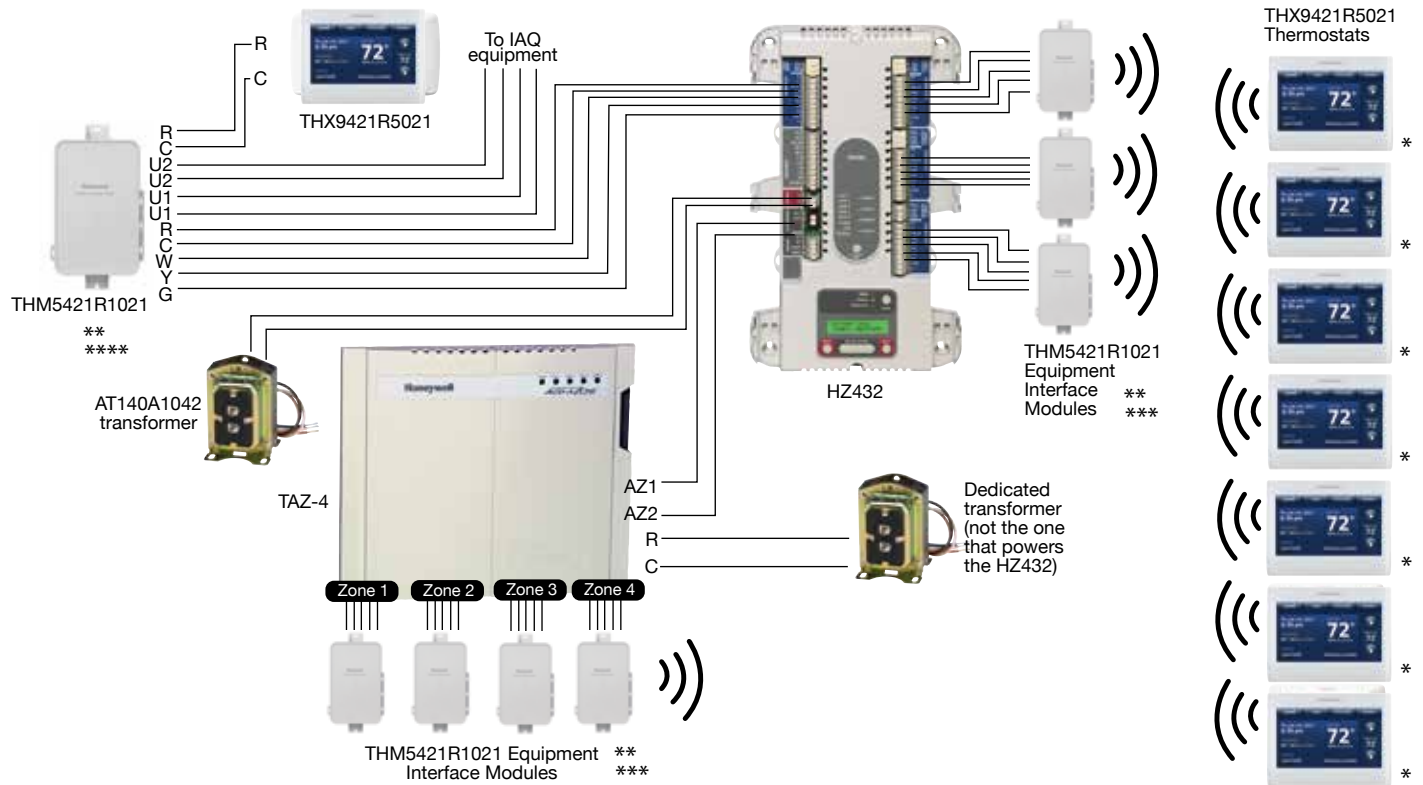
Parts list	Description	Quantity
1. HZ432K zone panel kit	Includes HZ432 zone panel, C7735A1000 discharge sensor, and AT140A1042 transformer	1
2. TAZ-4	add-a-zone panel	1 per each additional 4 zones
3. AT140A1042	40VA transformer	1 per TAZ-4 panel
4. THX9421R5021	Prestige IAQ 2.0 thermostat	1 for each zone
5. THM5421R1021	EIM for Prestige IAQ thermostat	1 for each THX9421R used
6. Appropriate zone dampers and by-pass damper for the application		
7. C7089U1006	Wired outdoor sensor (required for dual fuel applications only)	1

**Regular Prestige instead of Prestige IAQ**

For any of the A-H applications listed, you could replace the Prestige IAQ thermostats with THX9321R5030 Prestige models. When the THX9321R5030 models are used you do not need to order any THM5421R EIMs. All wires (including IAQ equipment) get wired to the subbase of the THX9321R models. The only exception is that a THM4000R1000 can be used with the THX9321R5030 models to control a TrueSTEAM humidifier wirelessly

Wired as normal thermostat. See diagrams in zone panel literature

Fig. 5. More than 4 zones



\* The subbase of each THX9421R5021 thermostat needs to be wired to a 24 volt transformer. This can either be the transformer that powers the zone panel or a separate transformer.  
 \*\* EIMs need to be at least 2 feet apart from each other.  
 \*\*\* The supply and return sensors included in the YTHX9421 2.0 Prestige IAQ kits are not used in zoning applications. The thermostats cannot be set for Delta-T diagnostics when used in zoning applications.  
 \*\*\*\*Thermostats enrolled to an EIM instead of to a zone panel should select "Non-zoned" in the thermostat setup.

# RedLINK™ Zoning Options

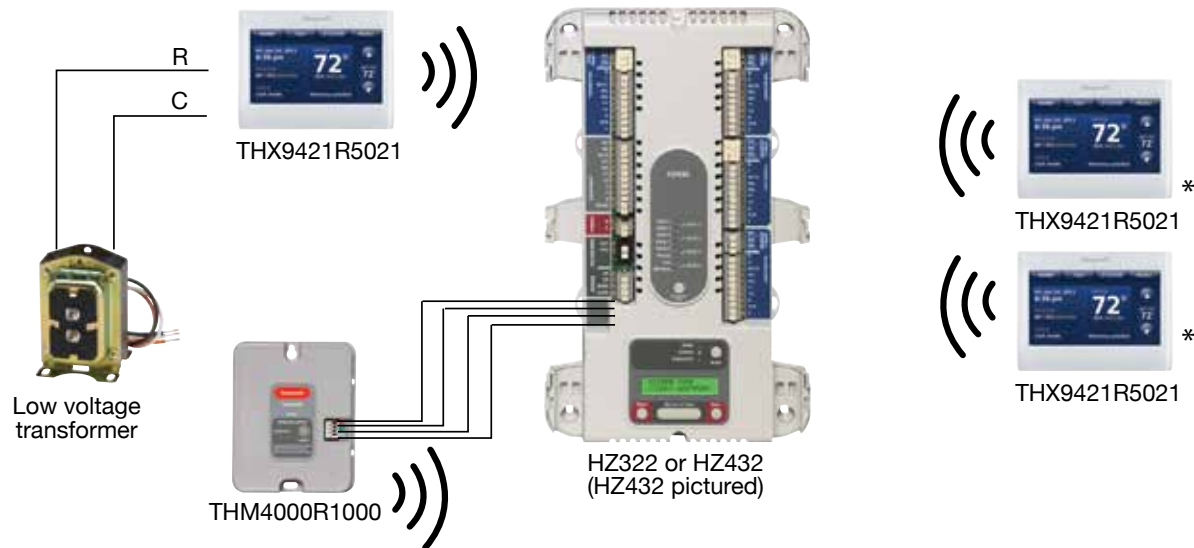
With all Prestige® or Prestige IAQ® thermostats\*\*\*\*

See figure 6 below for basic wiring

## No IAQ equipment

Any of the above listed 2-4 zone applications that do not need to control a Humidifier, Dehumidifier, Ventilator, Economizer or Remote Indoor Sensor can eliminate the THM5421R1021. You can enroll all Prestige IAQ thermostat to the THM4000R \*\*\*\* wireless adaptor. When a TAZ-4 is used for systems over 4 zone you cannot use a THM4000R1000.

Fig. 6. No IAQ equipment or remote indoor sensor



- \* The subbase of each THX9421R5021 thermostat needs to be wired to a 24 volt transformer. This can either be the transformer that powers the zone panel or a separate transformer
- \*\* EIMs and adaptors need to be at least 2 feet apart from each other.
- \*\*\* The supply and return sensors included in the YTHX9421 2.0 Prestige IAQ kits are not used in zoning applications. The thermostats cannot be set for Delta-T diagnostics when used in zoning applications.
- \*\*\*\* Prestige IAQ thermostats used with a THM4000R adaptor and THM6000R Gateway lose the 2.0 functionality online. This means you will be able to override the set-point but cannot program them or control the fan independently. Also you cannot use those thermostats with an REM1000R1003 exit/entry control or WSK-24 remote setback

### To Learn More

For more information regarding zoning, contact **800-828-8367** or for technical literature, go to <http://www.customer.honeywell.com>